

VDF Series (Deep Flat Curve)

Feature and strengths

- ✓ Good adjustment to different work-piece outlines
- ✓ Highest transmission of holding forces
- ✓ Highly wear-resistant PU material
- ✓ Especially on oily sheet metal handling
- ✓ Avoidance of deep-drawing, even with thin sheets



Suitable for handling

- . Sheet metal
- . Carton box
- . Press line
- . Automotive panels and door
- . Concaved surface



Order No.

VDF60 **PU** - **18F**
 | | |
 ① ② ③

① Suction Cup Ø

- VDF40 - Ø 40
- VDF50 - Ø 50
- VDF60 - Ø 60
- VDF80 - Ø 80
- VDF100 - Ø 100

② Material

- PU - Poly Urethane
- WPU - White Poly Urethane

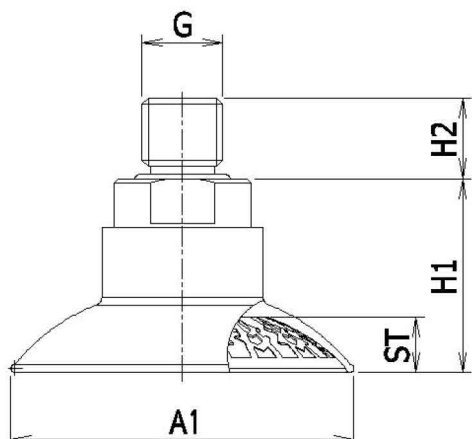
③ Thread size

- 18F - G1/8" female
- 14F - G1/4" female
- 38F - G3/8" female
- 12F - G1/2" female
- N18F - NPSF1/8" female
- N14F - NPSF1/4" female
- N38F - NPSF3/8" female
- 18M - G1/8" male
- 14M - G1/4" male
- 38M - G3/8" male
- M10M - M10XP1.5 male

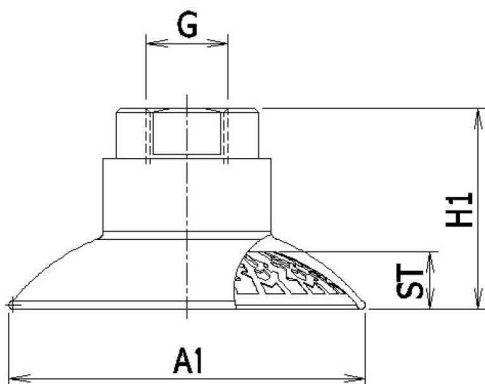
Recommended (max.) lifting forces

Model	Volume (cm ³)	Lifting Force (kg) - Perpendicular			Lifting Force (kg) - Parallel		
		-20 kPa	-60 kPa	-90 kPa	-20 kPa	-60 kPa	-90 kPa
VDF40	7	2.7	6.2	8.3	2.4	4.7	7.1
VDF50	14	4.1	10.1	14	3.5	9.2	18.5
VDF60	24	5.6	13.7	19	4.3	13.8	24.5
VDF80	50.5	8.6	21.2	29.3	7.2	18.5	27
VDF100	94	12.6	30.8	41.7	12.3	28.2	39.6

Dimensional information

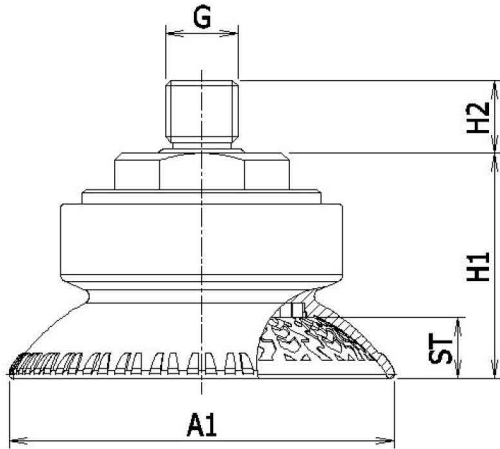


Model	A1	ST	H1	H2	G
VDF40...18M	42.5	6.9	24	10	G1/8"
VDF40...M10M					M10XP1.5

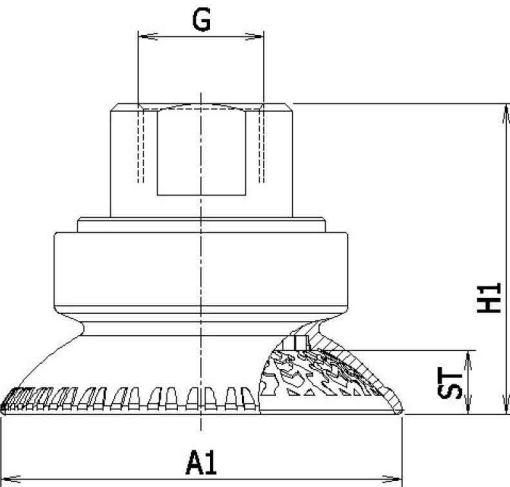


Model	A1	ST	H1	G
VDF40...18F	42.5	6.4	24	G1/8"
VDF40...14F				G1/4"
VDF40...38F				G3/8"
VDF40...N18F				NPSF1/8"
VDF40...N14F				NPSF1/4"
VDF40...N38F				NPSF3/8"

Dimensional information

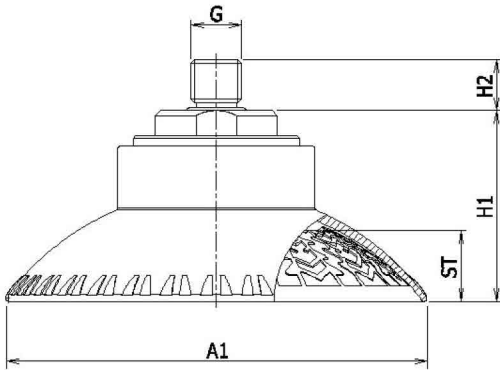


Model	A1	ST	H1	H2	G
VDF50...18M	53	8.4	31	10	G1/8"
VDF50...14M					G1/4"
VDF50...38M					G3/8"
VDF50...M10M					M10XP1.5
VDF60...18M	63	10.9	34	10	G1/8"
VDF60...14M					G1/4"
VDF60...38M					G3/8"
VDF60...M10M					M10XP1.5

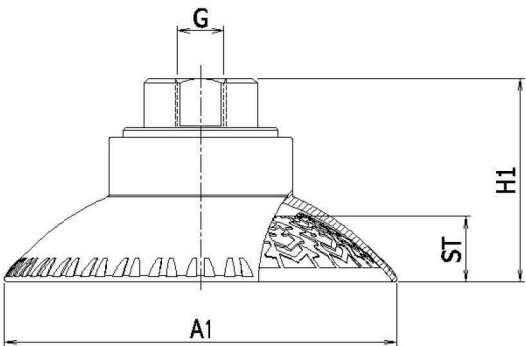


Model	A1	ST	H1	G
VDF50...18F	53	8.4	41	G1/8"
VDF50...14F				G1/4"
VDF50...38F				G3/8"
VDF50...N18F				NPSF 1/8"
VDF50...N14F	NPSF 1/4"			
VDF50...N38F	NPSF 3/8"			
VDF60...18F	63	10.9	44	G1/8"
VDF60...14F				G1/4"
VDF60...38F				G3/8"
VDF60...N18F				NPSF 1/8"
VDF60...N14F	NPSF 1/4"			
VDF60...N38F	NPSF 3/8"			

Dimensional information



Model	A1	ST	H1	H2	G
VDF80...18M	83	13.9	37.6	10	G1/8"
VDF80...14M					G1/4"
VDF80...38M					G3/8"
VDF80...M10M					M10XP1.5
VDF100...18M	103	17.3	40.3	10	G1/8"
VDF100...14M					G1/4"
VDF100...38M					G3/8"
VDF100...M10					M10XP1.5



Model	A1	ST	H1	G
VDF80...18F	83	13.9	43	G1/8"
VDF80...14F				G1/4"
VDF80...38F				G3/8"
VDF80...12F				G1/2"
VDF80...N18F	103	17.3	48.3	NPSF 1/8"
VDF80...N14F				NPSF 1/4"
VDF80...N38F				NPSF 3/8"
VDF100...18F				G1/8"
VDF100...14F	103	17.3	48.3	G1/4"
VDF100...38F				G3/8"
VDF100...12F				G1/2"
VDF100...N18F				NPSF 1/8"
VDF100...N14F	103	17.3	48.3	NPSF 1/4"
VDF100...N38F				NPSF 3/8"